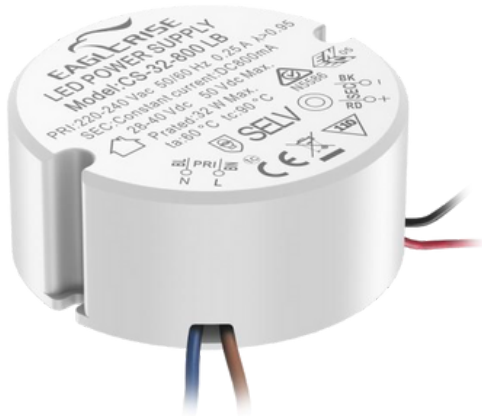


32W Constant Current -CS Series



Features

- Class II, SELV, Built-in
- Input Voltage 220-240VAC
- Protections: SCP/OLP/OVP
- Power Factor >0.95
- Efficiency ≥86%
- 3 years warranty

Applications

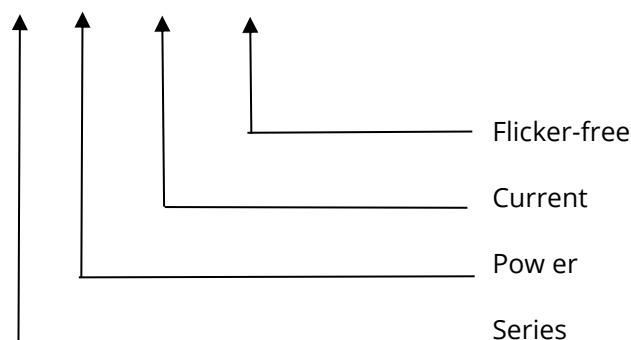
- Wall light
- COB light
- LED spot light

Description

CS-32-XXX LB is a 32W constant current LED driver that operates from 176-264Vac input with 700/750/800mA output current. With it's compact dimensions from $\Phi 65 \times 28\text{mm}$ it is easy to integrate in spot light, wall light and COB light products. To ensure trouble-free operation, protection is provided against output short circuit and over Load.

Model code

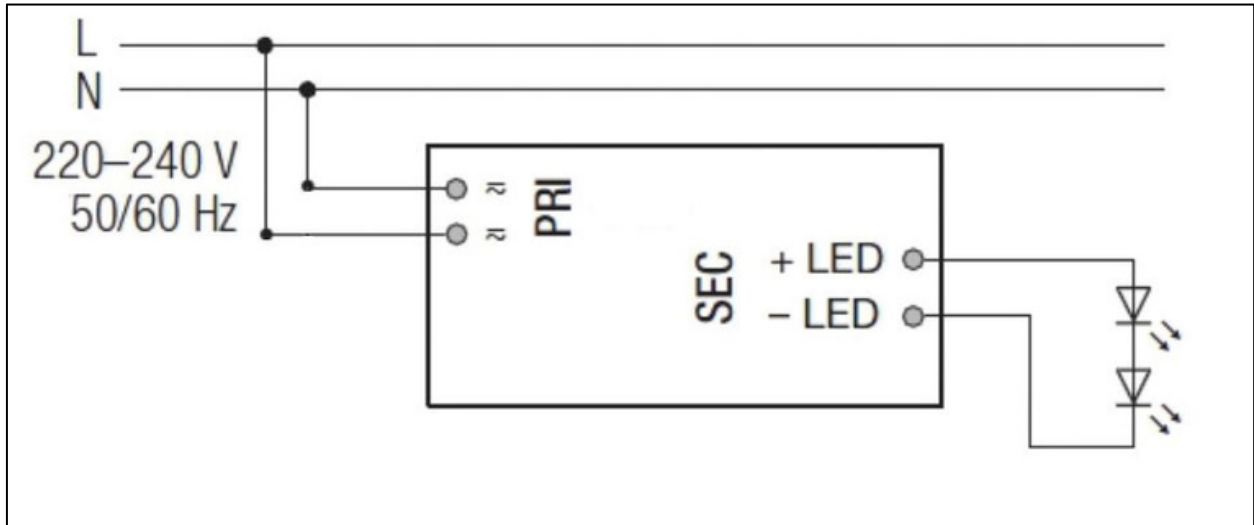
CS-32-XXX LB



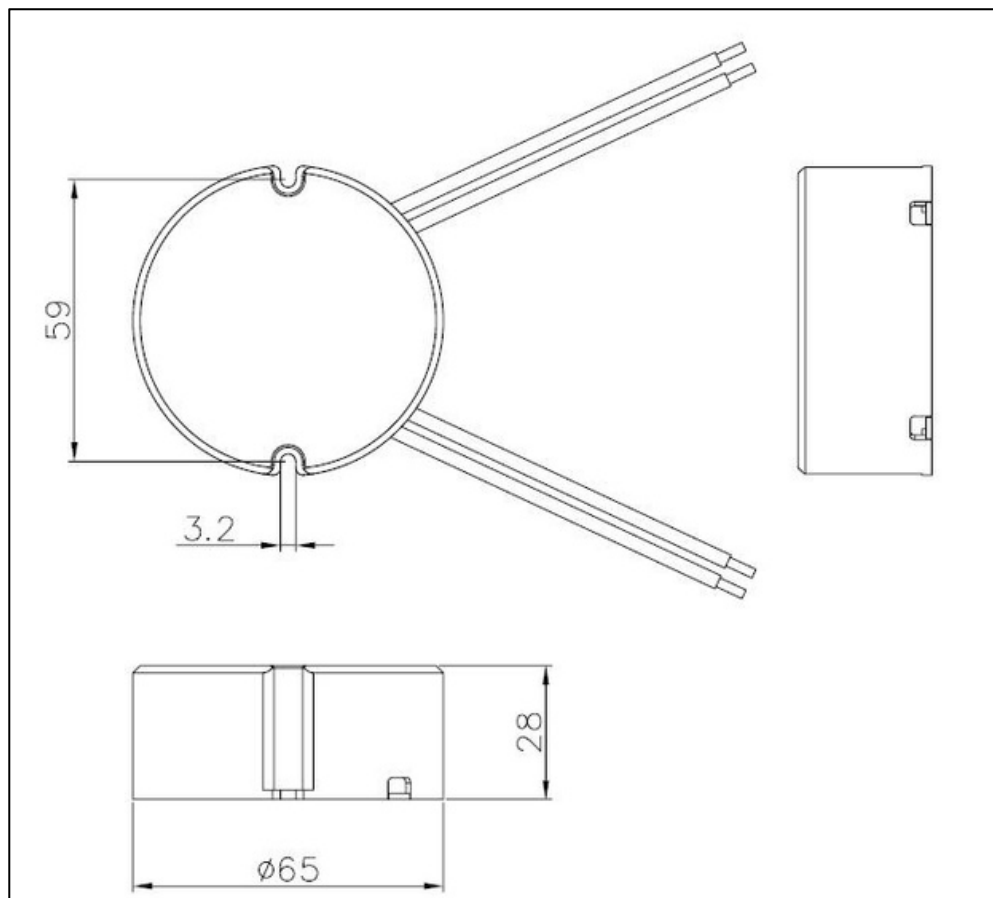
Specification

Output	Constant Current	700mA	750mA	800mA
	Voltage Range	28-42VDC	28-42VDC	28-40VDC
	Unload voltage Max.	50VDC	50VDC	50VDC
	Current Accuracy	±5%		
	Output HF current ripple(≥1KHz)	±2%		
	Output LF current ripple(≤120Hz)	±2%		
	SVM	≤0.4		
	Pst	≤1		
	Efficiency(Typ.)	≥86%		
Input	Rated input voltage	220-240VAC		
	Range of input voltage	176-264VAC		
	Rated input voltage(DC)	176-280VDC		
	Frequency(Hz)	0/50/60Hz		
	Displacement factor	≥0.9		
	Power Factor	0.95C		
	Input Current max	0.22AMAX.	0.24AMAX.	0.25AMAX.
	Start-uptime	<0.5S		
	No Load Power	≤0.5W		
	THD(Typ.)	<10%		
Protection	Over Load Protection	103-120%		
		YES/Auto Resume		
	Over Voltage Protection	>50VDC YES/Auto Resume		
	Short circuit Protection	YES/AutoResume		
Environment	Operating Temperature	-20°C~+60°C		
	Humidity	20%-90%RH		
	Tc	90°C		
	Storage Temperature	-25°C~+60°C		
	Lifetime	>50000h@Tc=85°C,230VAC		
Surface	Dimension	Φ65X28(DXH)mm		
s standards	EN61347-1; EN61347-2-13;EN62384; EN55015;EN61000-3-2 ;EN61000-3-3; EN61547;			
Others	ErP EU2019/2020			
	RoHS	RoHS(2011/65/EU) (EU)2015/863		
Note	<p>1.All parameters NOT specially mentioned are measured at 240VAC input , full load and 25°C of ambient temperature.</p> <p>2.Ripple & Noise are measured at 20MHz of bandwidth by using a 300mm twisted pair-wire terminated with a 0.1uF & 47 uF parallel capacitor.</p>			

Wiring diagram

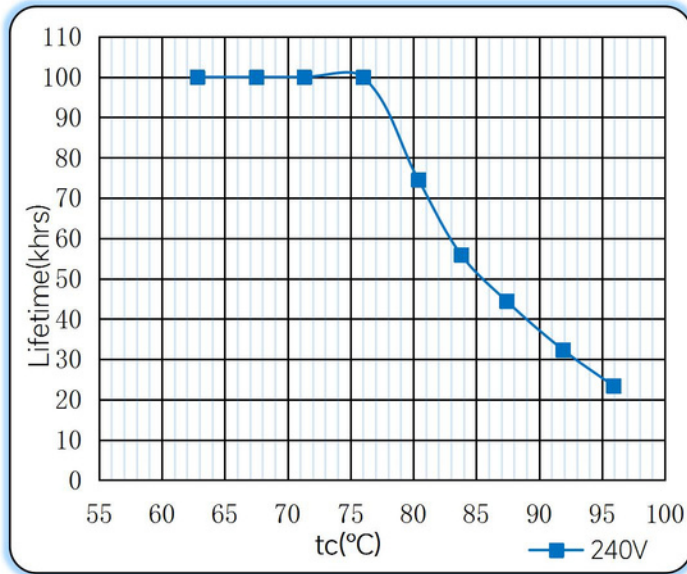


2D diagram

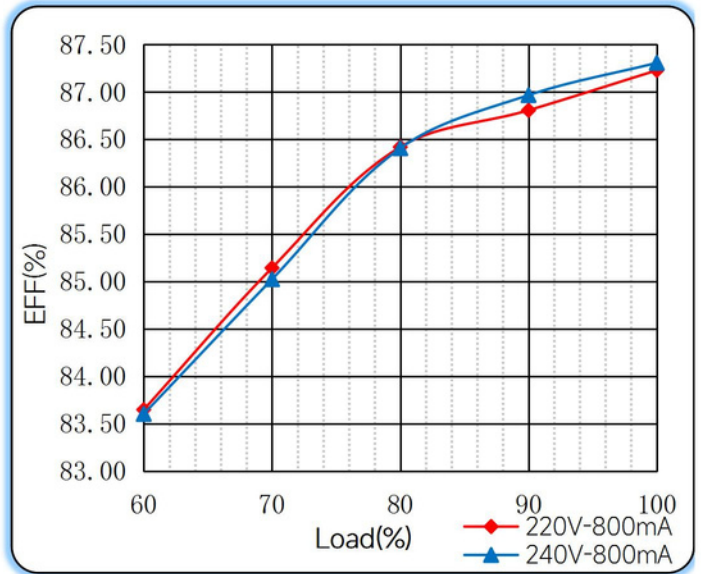


Curve for CS-32-600 LB, Io=600mA

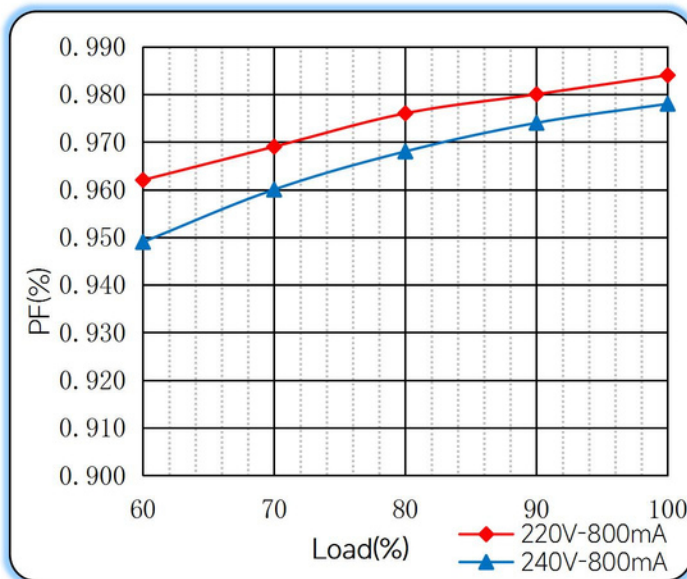
Lifetime vs. Temperature Curve



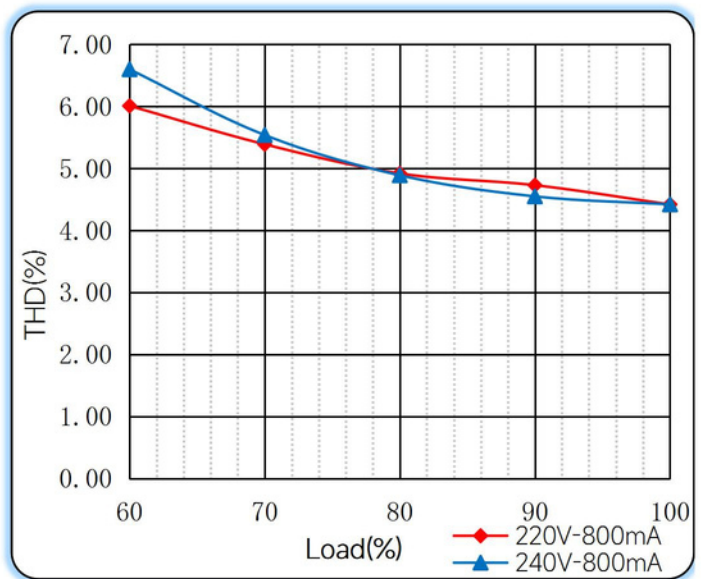
Efficiency vs. Load



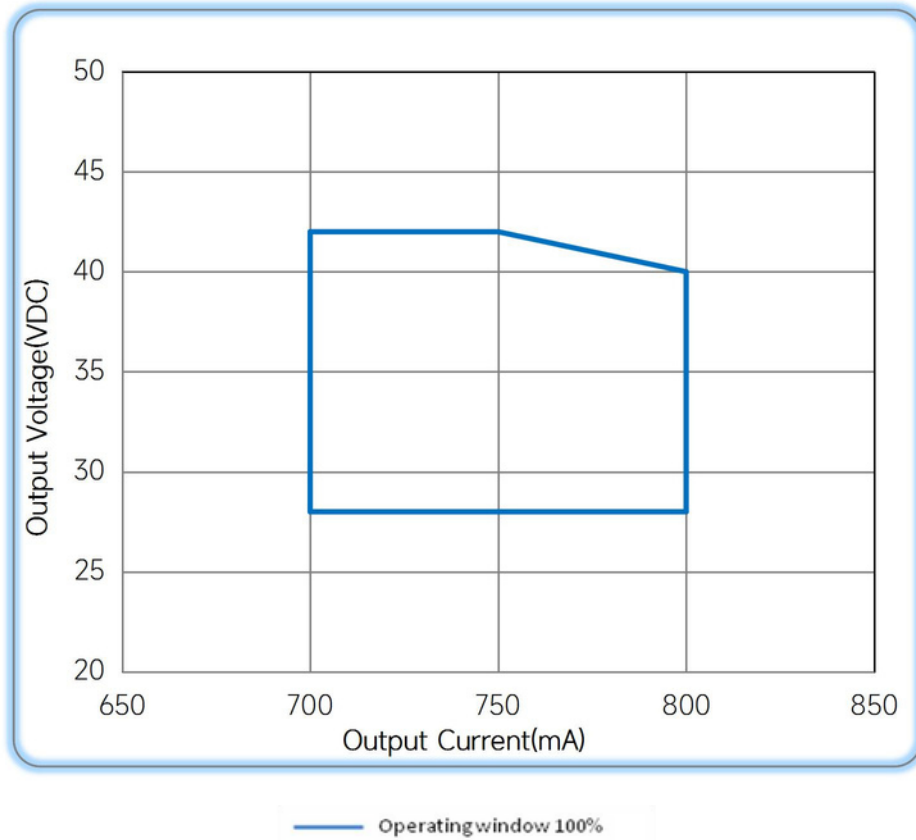
Power Factor Characteristics



THD vs. Load



Operating window




Revision Updates

ITEM	BEFORE	AFTER	VERSION	DATE
Initial			A	2022/05/15



Citi-el
LED up your business

 +7 (499) 647-80-74

 zakaz@citi-el.ru

 www.citi-el.ru